

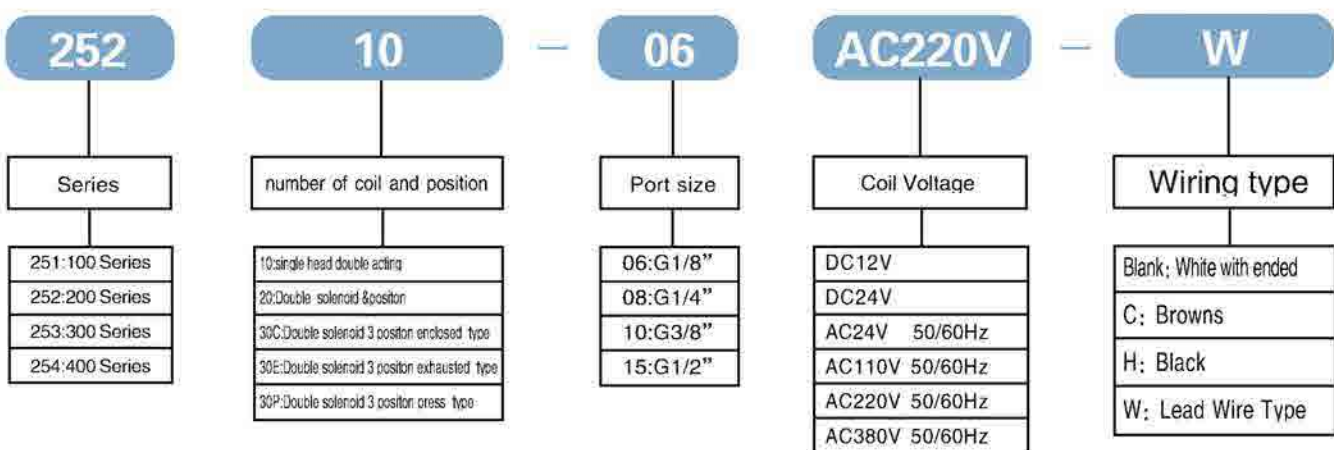
Characteristic:

- Service life: 10 million cycle times.
- The bodies are mirror finished and hardening treated.
- Equipped with imported oil seals with smaller friction and longer service life.
- With imported coils, low power consumption, speedy response.
- Capable of long service time without being damaged.

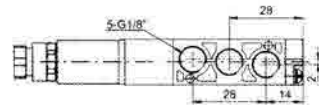
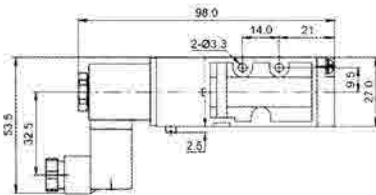
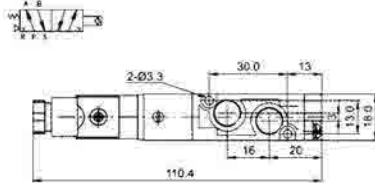
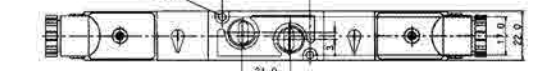
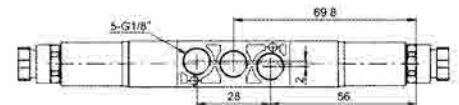
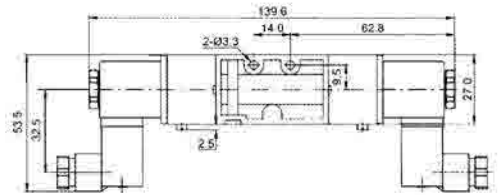
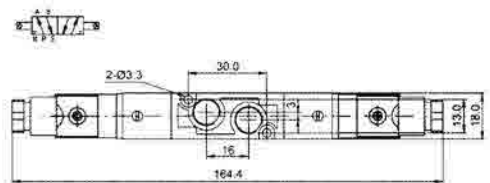
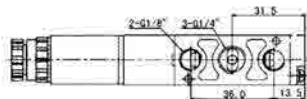
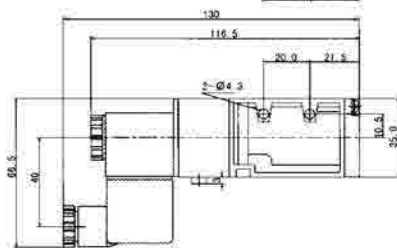
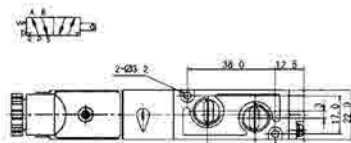
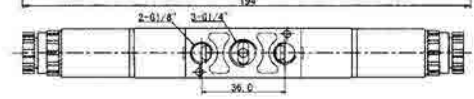
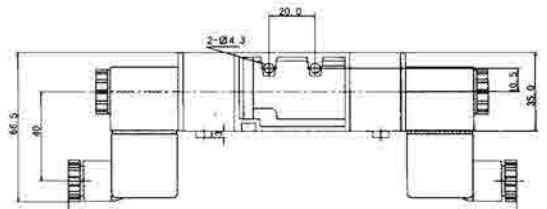
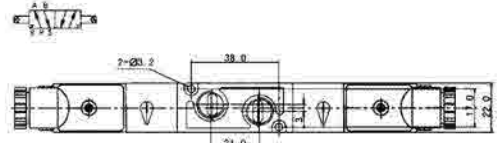
Specification:

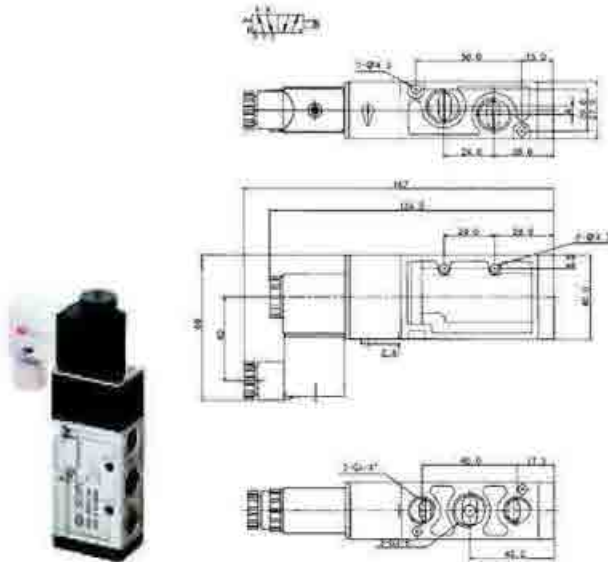
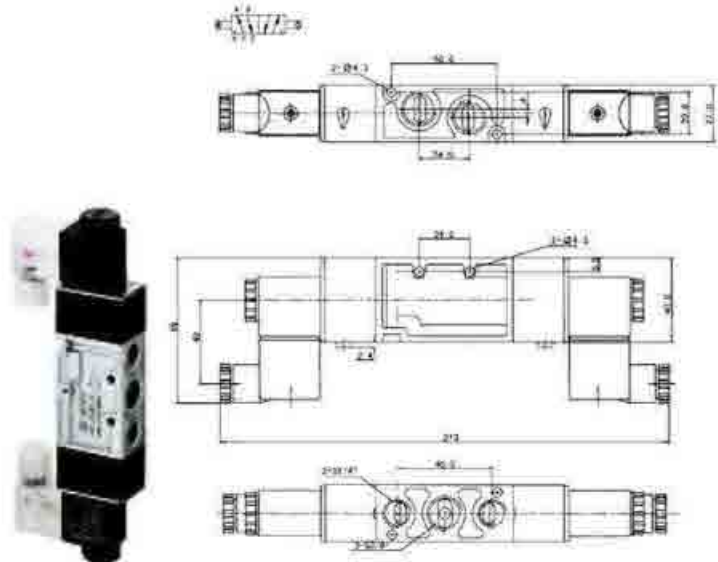
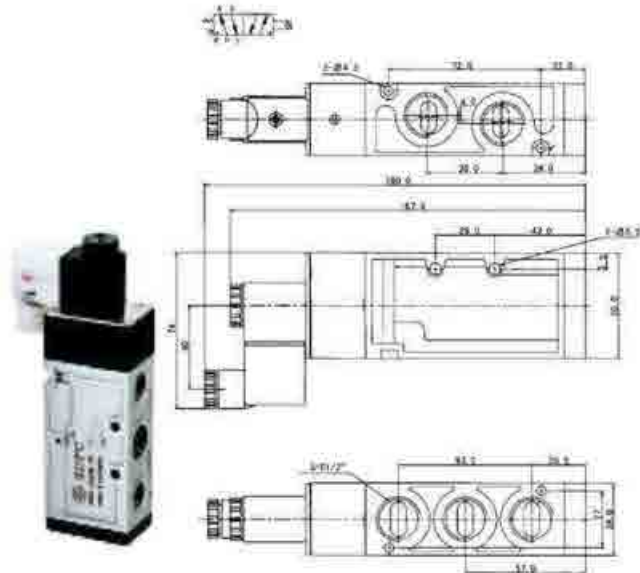
Type	25110-06	25120-06	25130C(E/P)-06	25210-08	25220-08	25230C(E/P)-08	25310-10	25320-10	25330C(E/P)-10	25410-15	25420-15	25430C(E/P)-15
Position number	2 Position 5 Way		3 Position 5 Way	2 Position 5 Way		3 Position 5 Way	2 Position 5 Way		3 Position 5 Way	2 Position 5 Way		3 Position 5 Way
Effective sectional area	12mm ² (CV=0.67)		9mm ² (CV=0.5)	14mm ² (CV=0.78)		12mm ² (CV=0.69)	25mm ² (CV=1.40)		18mm ² (CV=1.00)	50mm ² (CV=2.79)		30mm ² (CV=1.68)
Fluid	Air											
Acting type	Internally pilot-actuated											
Working pressure MPa	0.2~0.8											
Ambient temperature °C	-5~50											
Voltage range	± 10%											

How to order:



Dimension(mm):

25110-06

25120-06

25210-08

25220-08


25310-10

25320-10

25410-15

25420-15
